



Product Guide 2020





ACTIVE FIXINGS LIMITED is world class fastener distributor located in Wolverhampton in the West Midlands. Whether you require a standardized product or your requirements are for a tailor made, highly engineered fastener for a specialized application – we at Active Fixings Ltd can work with you to help provide the parts that provide you with a solution.

We work with world class national and international suppliers to deliver the best and most reliable fasteners delivered in a cost effective and timely manner.

We hold an extensive inventory and broad product range of fasteners and fixings used in Construction Industry mainly PLUMBING and ELECTRICAL some of these but not limited to Spring Nuts, Brackets and Clamps, Fittings, Washers, Post Base, Hangers, various fasteners including all types of Hex Nuts and Bolts and various customized fasteners manufactured to customers precise specifications.

We are able to supply fasteners and fixings in a variety of materials, sizes and Finishes.

If you can't find it in our brochure, please ask us – we can readily source most products quickly and efficiently to meet your requirements.

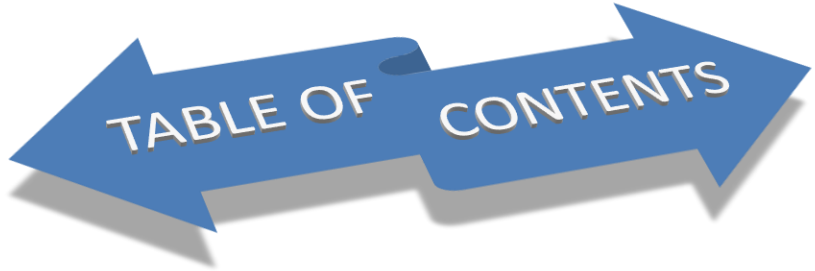


TABLE OF CONTENTS



**FASTENERS &
FIXINGS**



3



**STRUT FITTINGS &
CABLE SUPPORT
FITTINGS**



11



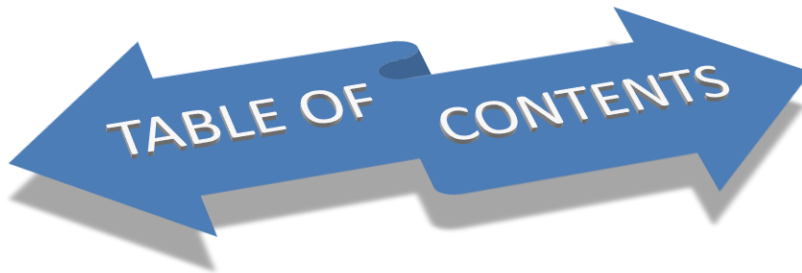
**CLAMPS &
MISCELLANEOUS
ITEMS**



23



FASTENERS AND FIXINGS



FASTENERS AND FIXINGS	PAGE NO
HEX HEAD SET SCREWS	5
ROOFING BOLTS	6
THREADED STUDS	6
FLAT SQUARE WASHERS	7
SQUARE PLATE WASHERS	7
PENNY / REPAIR WASHERS	8
CLIP WASHERS	8
HEX NUTS	9
REGULAR WEDGE NUTS	9
MINI WEDGE NUTS	9
MINI-MINI WEDGE NUTS	9
THREADED BARS	10



FASTENERS & FIXINGS
Bolts

HEX HEAD SET SCREWS



ITEM CODE	SIZE	FINISH	BOX QTY
HHSS625	M6 X 25	BZP	100
HHSS820	M8 X 20	BZP	100
HHSS830	M8 X 30	BZP	100
HHSS835	M8 X 35	BZP	100
HHSS840	M8 X 40	BZP	100
HHSS850	M8 X 50	BZP	100
HHSS855	M8 X 55	BZP	100
HHSS860	M8 X 60	BZP	100
HHSS870	M8 X 70	BZP	100
HHSS880	M8 X 80	BZP	TBA
HHSS8100	M8 X 100	BZP	TBA
HHSS1020	M10 X 20	BZP	100
HHSS1025	M10 X 25	BZP	100

ITEM CODE	SIZE	FINISH	BOX QTY
HHSS1030	M10 X 30	BZP	100
HHSS1035	M10 X 35	BZP	100
HHSS1040	M10 X 40	BZP	100
HHSS1050	M10 X 50	BZP	100
HHSS1055	M10 X 55	BZP	100
HHSS1060	M10 X 60	BZP	100
HHSS1070	M10 X 70	BZP	100
HHSS1080	M10 X 80	BZP	TBA
HHSS10100	M10 X 100	BZP	TBA
HHSS10120	M10 X 120	BZP	TBA
HHSS10150	M10 X 150	BZP	TBA
HHSS1225	M12 X 25	BZP	100
HHSS1235	M12 X 35	BZP	100
HHSS1240	M12 X 40	BZP	100
HHSS1250	M12 X 50	BZP	100
HHSS1260	M12 X 60	BZP	100
HHSS1270	M12 X 70	BZP	100
HHSS1280	M12 X 80	BZP	TBA
HHSS12100	M12 X 100	BZP	TBA
HHSS12120	M12 X 120	BZP	TBA
HHSS12110	M12 X 110	BZP	TBA
HHSS12130	M12 X 130	BZP	TBA
HHSS12150	M12 X 150	BZP	TBA
HHSS1665	M16 X 65	BZP	100
HHSS1675	M16 X 75	BZP	100

Available in HDG and Stainless steel also.



FASTENERS & FIXINGS
Bolts

ROOFING BOLTS



ITEM CODE	SIZE	FINISH	BOX QTY
RB612	M6X12MM	BZP	100
RB616	M6X16MM	BZP	100
RB620	M6X20MM	BZP	100
RB625	M6X25MM	BZP	100
RB630	M6X30MM	BZP	100

THREADED STUDS

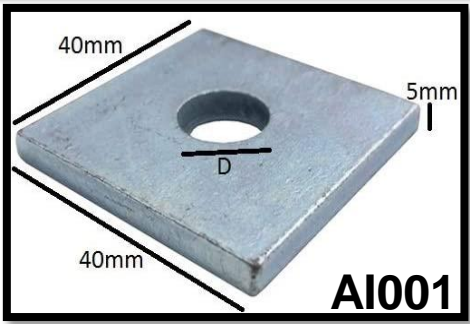


ITEM CODE	SIZE	FINISH	BOX QTY	PALLET QTY
TRS1025	M10 x 25mm	BZP	100	24000
TRS1030	M10 x 30mm	BZP	100	24000
TRS1040	M10 x 40mm	BZP	100	24000
TRS1050	M10 x 50mm	BZP	100	24000
TRS1060	M10 x 60mm	BZP	100	24000
TRS1070	M10 x 70mm	BZP	100	24000
TRS1080	M10 x 80mm	BZP	100	24000
TRS1090	M10 x 90mm	BZP	100	24000
TRS10100	M10 x 100mm	BZP	100	24000
TRS10125	M10 x 125mm	BZP	TBA	TBA
TRS10150	M10 x 150mm	BZP	TBA	TBA
TRS10200	M10 x 200mm	BZP	TBA	TBA
TRS10250	M10 x 250mm	BZP	TBA	TBA
TRS10300	M10 x 300mm	BZP	TBA	TBA



FASTENERS & FIXINGS
Washers

FLAT SQUARE WASHER



SQUARE PLATE WASHER



ITEM CODE	SIZE	FINISH	BOX QTY	PALLET QTY
AI 001M6	M6 x 40 x 5	HDG	100	24000
AI 001M8	M8 x 40 x 5	HDG	100	24000
AI 001M10	M10 x 40 x 5	HDG	100	24000
AI 001M12	M12 x 40 x 5	HDG	100	24000
AI 001M6Z	M6 x 40 x 5	BZP	100	24000
AI 001M8Z	M8 x 40 x 5	BZP	100	24000
AI 001M10Z	M10 x 40 x 5	BZP	100	24000
AI 001M12Z	M12 x 40 x 5	BZP	100	24000
AI 001M6SS316	M6 x 40 x 5	SS-316	100	24000
AI 001M8SS316	M8 x 40 x 5	SS-316	100	24000
AI 001M10SS316	M10 x 40 x 5	SS-316	100	24000
AI 001M12SS316	M12 x 40 x 5	SS-316	100	24000

ITEM CODE	SIZE	FINISH	BOX QTY	PALLET QTY
SPWM6x40x3	M6 x 40 x 3	HDG	100	20000
SPWM8x40x3	M8 x 40 x 3	HDG	100	20000
SPWM10x40x3	M10 x 40 x 3	HDG	100	20000
SPWM12x40x3	M12 x 40 x 3	HDG	100	20000
SPWM6x40x3Z	M6 x 40 x 3	BZP	100	20000
SPWM8x40x3Z	M8 x 40 x 3	BZP	100	20000
SPWM10x40x3Z	M10 x 40 x 3	BZP	100	20000
SPWM12x40x3Z	M12 x 40 x 3	BZP	100	20000
SPWM6x50x3	M6 x 50 x 3	HDG	100	20000
SPWM8x50x3	M8 x 50 x 3	HDG	100	20000
SPWM10x50x3	M10 x 50 x 3	HDG	100	20000
SPWM12x50x3	M12 x 50 x 3	HDG	100	20000
SPWM20x50x3	M20 x 50 x 3	HDG	100	20000
SPWM6x50x3Z	M6 x 50 x 3	BZP	100	20000
SPWM8x50x3Z	M8 x 50 x 3	BZP	100	20000
SPWM10x50x3Z	M10 x 50 x 3	BZP	100	20000
SPWM12x50x3Z	M12 x 50 x 3	BZP	100	20000
SPWM20x50x3Z	M20 x 50 x 3	BZP	100	20000



PENNY WASHER



REPAIR WASHER



PART NO.	SIZE	FINISH	BOX QTY	PALLET QTY
PW625	M6x25mm	BZP	500	120,000
PW825	M8x25mm	BZP	500	120,000
PW1025	M10x25mm	BZP	500	120,000
PW1225	M12x25mm	BZP	500	120,000
PW625H	M6x25mm	HDG	500	120,000
PW825H	M8x25mm	HDG	500	120,000
PW1025H	M10x25mm	HDG	500	120,000
PW1225H	M12x25mm	HDG	500	120,000

PART NO.	SIZE	FINISH	BOX QTY	PALLET QTY
RW630	M6x30mm	BZP	500	120,000
RW830	M8x30mm	BZP	500	120,000
RW1030	M10x30mm	BZP	500	120,000
RW1230	M12x30mm	BZP	500	120,000
RW630H	M6x30mm	HDG	500	120,000
RW830H	M8x30mm	HDG	500	120,000
RW1030H	M10x30mm	HDG	500	120,000
RW1230H	M12x30mm	HDG	500	120,000

CLIP WASHER



PART NO	SIZE	FINISH	BOX QTY	PALLET QTY
AI 073	M10	BZP	100	TBA
AI 074	M12	BZP	100	TBA



HEX NUT



WEDGE NUT



PART NO	SIZE	FINISH	BOX QTY	PALLET QTY
HN6	M6	BZP	100	24000
HN8	M8	BZP	100	24000
HN10	M10	BZP	100	24000
HN12	M12	BZP	100	24000
HN16	M16	BZP	100	24000

PART NO	SIZE	FINISH	BOX QTY	PALLET QTY
WN6	M6	BZP	100	24000
WN8	M8	BZP	100	24000
WN10	M10	BZP	100	24000
WN12	M12	BZP	100	24000

MINI WEDGE NUT



MINI-MINI WEDGE NUT

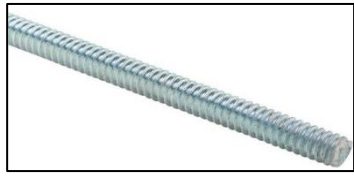


PART NO	SIZE	FINISH	BOX QTY	PALLET QTY
MWN6	M6	BZP	100	24000
MWN8	M8	BZP	100	24000
MWN10	M10	BZP	100	24000
MWN12	M12	BZP	100	24000

PART NO	SIZE	FINISH	BOX QTY	PALLET QTY
MMWN6	M6	BZP	100	24000
MMWN8	M8	BZP	100	24000
MMWN10	M10	BZP	100	24000
MMWN12	M12	BZP	100	24000



THREADED BARS



PART NO	SIZE	FINISH
TRS M6 x 1m	1m	BZP
TRS M8 x 1m	1m	BZP
TRS M10 x 1m	1m	BZP
TRS M12 x 1m	1m	BZP
TRS M16 x 1m	1m	BZP
TRS M20 x 1m	1m	BZP
TRS M24 x 1m	1m	BZP

PART NO	SIZE	FINISH	BUNDLE QTY	PALLET QTY
TRS M6 x 3m	3m	BZP	TBA	TBA
TRS M8 x 3m	3m	BZP	25	1250
TRS M10 x 3m	3m	BZP	20	800
TRS M10 x 3m	3m	BZP	TBA	TBA
TRS M12 x 3m	3m	BZP	10	600
TRS M16 x 3m	3m	BZP	5	200
TRS M20 x 3m	3m	BZP	TBA	TBA
TRS M24 x 3m	3m	BZP	TBA	TBA

PART NO	SIZE	FINISH	BUNDLE QTY	PALLET QTY
TRS M6 x 2m	2m	BZP	TBA	TBA
TRS M8 x 2m	2m	BZP	25	1500
TRS M10 x 2m	2m	BZP	25	1000
TRS M12 x 2m	2m	BZP	25	700
TRS M16 x 2m	2m	BZP	10	400



STRUT FITTINGS & CABLE SUPPORT FITTINGS

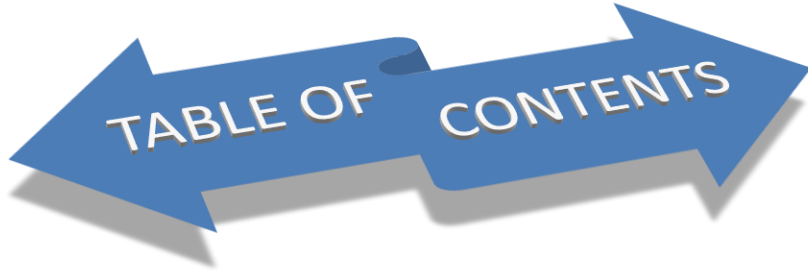



TABLE OF CONTENTS

STRUT FITTINGS & CABLE SUPPORT FITTINGS	PAGE NO.
CHANNEL NUT	13
QUICK NUT	13
CANTILEVER ARMS	14
FLAT BRACKETS	15
ANGLE BRACKETS	16
WING BRACKET	18
Z SHAPE BRACKETS	18
U SHAPE BRACKETS	19
C SHAPE BRACKETS	19
CHANNEL BASE/POST BASE	19
STRUT JOINERS	21
BEAM CLAMP	22



CHANNEL NUTS

CHANNEL NUT – WITHOUT SPRING

CHANNEL NUT – WITH SHORT SPRING

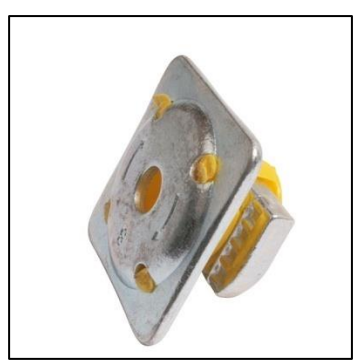
CHANNEL NUT – WITH LONG SPRING



PART NO.	SIZE	FINIS H	BOX QTY	P. QTY
CNP6	M6	BZP	100	24000
CNP8	M8	BZP	100	24000
CNP10	M10	BZP	100	24000
CNP 12	M12	BZP	100	24000
CNP6H	M6	HDG	100	24000
CNP8H	M8	HDG	100	24000
CNP10H	M10	HDG	100	24000
CNP12H	M12	HDG	100	24000
CNP6SS	M6	SS316	100	24000
CNP8SS	M8	SS316	100	24000
CNP10SS	M10	SS316	100	24000
CNP12SS	M12	SS316	100	24000

PART NO.	SIZE	FINIS H	BOX QTY	P. QTY
CNS6	M6	BZP	100	18000
CNS8	M8	BZP	100	18000
CNS10	M10	BZP	100	18000
CNS 12	M12	BZP	100	18000
CNS6H	M6	HDG	100	18000
CNS8H	M8	HDG	100	18000
CNS10H	M10	HDG	100	18000
CNS12H	M12	HDG	100	18000
CNS6SS	M6	SS316	100	18000
CNS8SS	M8	SS316	100	18000
CNS10SS	M10	SS316	100	18000
CNS12SS	M12	SS316	100	18000

PART NO.	SIZE	FINIS H	BOX QTY	P. QTY
CNL6	M6	BZP	100	12000
CNL8	M8	BZP	100	12000
CNL10	M10	BZP	100	12000
CNL 12	M12	BZP	100	12000
CNL6H	M6	HDG	100	12000
CNL8H	M8	HDG	100	12000
CNL10H	M10	HDG	100	12000
CNL12H	M12	HDG	100	12000
CNL6SS	M6	SS316	100	12000
CNL8SS	M8	SS316	100	12000
CNL10SS	M10	SS316	100	12000
CNL12SS	M12	SS316	100	12000



QUICK CHANNEL NUT WITH PLASTIC

PART NO.	SIZE	FINISH	BOX QTY	P. QTY
QSN-8	M8	BZP	TBA	TBA
QSN-10	M10	BZP	TBA	TBA



CANTILEVER ARMS

SOLID & SLOTTED STRUT



PART NO	FINISH	PALLET QTY
AI063150mm	HDG	600
AI063300mm	HDG	520
AI063450mm	HDG	450
AI063600mm	HDG	360
AI063750mm	HDG	200
AI063900mm	HDG	160
AI0631000mm	HDG	200

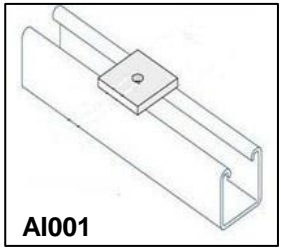
BACK TO BACK STRUT



PART NO	FINISH	PALLET QTY
AI063BB150mm	HDG	300
AI063BB300mm	HDG	260
AI063BB450mm	HDG	225
AI063BB600mm	HDG	180
AI063BB750mm	HDG	200
AI063BB900mm	HDG	80
AI063BB1000mm	HDG	TBA



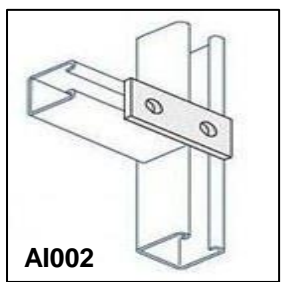
FLAT BRACKETS



AI001

1 HOLE FLAT PLATE BRACKET

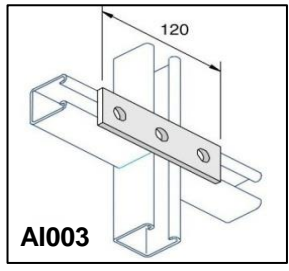
PART NO	SIZE	FINISH	BOX QTY	PALLET QTY
AI001	40x40x5mm	HDG	50	8000



AI002

2 HOLE FLAT PLATE BRACKET

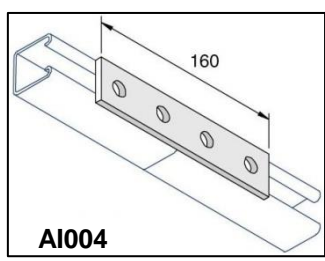
PART NO	SIZE	FINISH	BOX QTY	PALLET QTY
AI002	80mm	HDG	50	8000



AI003

3 HOLE FLAT PLATE BRACKET

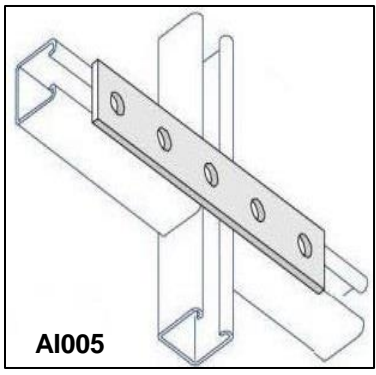
PART NO	SIZE	FINISH	BOX QTY	PALLET QTY
AI003	120mm	HDG	50	5000



AI004

4 HOLE FLAT PLATE BRACKET

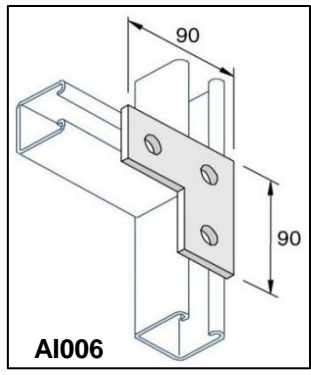
PART NO	SIZE	FINISH	BOX QTY	PALLET QTY
AI004	160mm	HDG	50	5000



AI005

5 HOLE FLAT PLATE BRACKET

PART NO	SIZE	FINISH	BOX QTY	PALLET QTY
AI005	200mm	HDG	25	2500



AI006

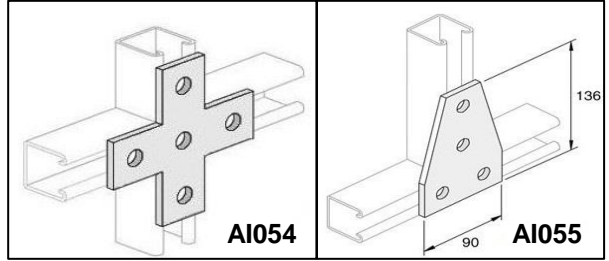
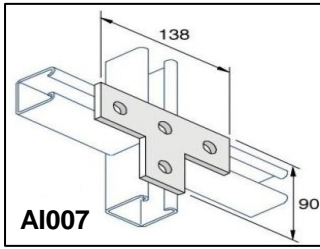
FLAT PLATE L 3 HOLE BRACKET

PART NO	SIZE	FINISH	BOX QTY	PALLET QTY
AI006	90x90	HDG	25	4000

NOTE: Please refer to drawings for the correctness of sizes. The above mentioned sizes are for reference only.



FLAT BRACKETS



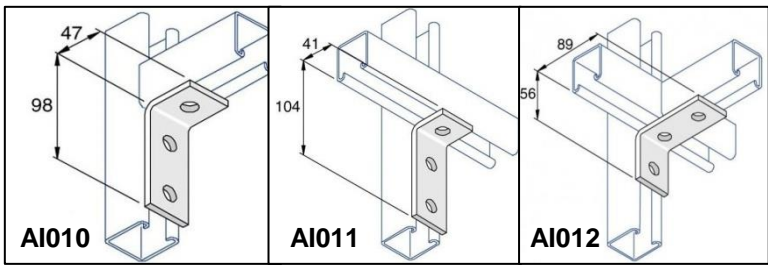
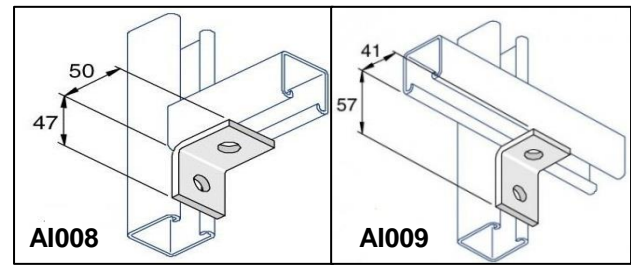
FLAT PLATE TEE 4 HOLE BRACKET

PART NO	SIZE	FINISH	BOX QTY	PALLET QTY
AI007	138x90	HDG	25	3125

FLAT CROSS & GUSSET

PART NO	SIZE	FINISH	BOX QTY	PALLET QTY
AI054	120x120	HDG	25	2350
AI055	136x90	HDG	25	3125

ANGLE BRACKETS

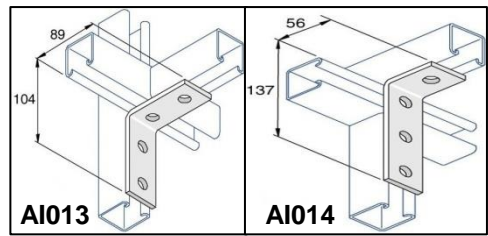
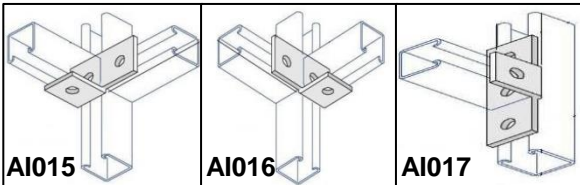


RIGHT ANGLE BRACKET – 2 HOLE

PART NO	SIZE	FINISH	BOX QTY	PALLET QTY
AI008	50x47x40	HDG	50	6250
AI009	41x57x40	HDG	50	6250

RIGHT ANGLE BRACKET – 3 HOLE

PART NO	SIZE	FINISH	BOX QTY	PALLET QTY
AI010	47x96x40	HDG	25	3125
AI011	42x102x40	HDG	25	3125
AI012	57x90x40	HDG	25	3125



RIGHT ANGLE TEE-LEFT, RIGHT HAND & CENTRE

PART NO	SIZE	FINISH	BOX QTY	PALLET QTY
AI015	TBA	HDG	25	3125
AI016	TBA	HDG	25	3125
AI017	TBA	HDG	25	3125

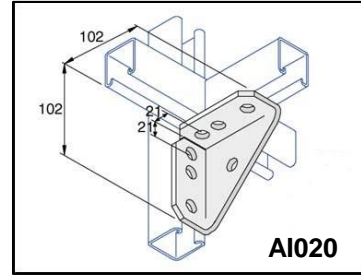
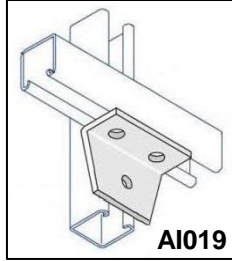
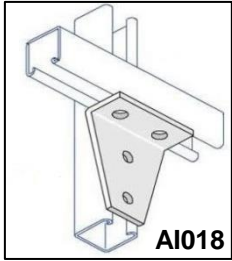
RIGHT ANGLE BRACKET – 4 HOLE

PART NO	SIZE	FINISH	BOX QTY	PALLET QTY
AI013	89x104	HDG	25	3125
AI014	56x137	HDG	25	3125

NOTE: Please refer to drawings for the correctness of sizes. The above mentioned sizes are for reference only.



ANGLE BRACKETS

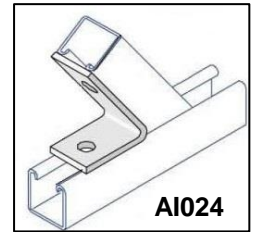
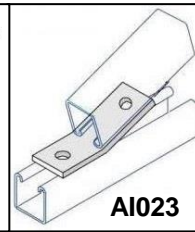
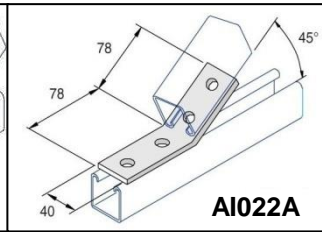
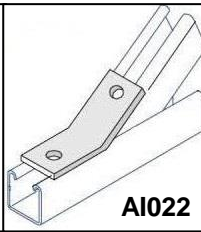
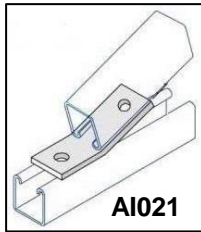


DELTA PLATE RIGHT ANGLE

PART NO	SIZE	FINISH	BOX QTY	PALLET QTY
AI018	2/2 HOLE	HDG	50	3000
AI019	1/2 HOLE	HDG	25	3125

GUSSETED RIGHT ANGLE BRACKET

PART NO	SIZE	FINISH	BOX QTY	PALLET QTY
AI020	102x102	HDG	10	1250

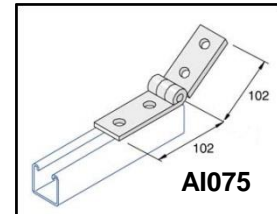
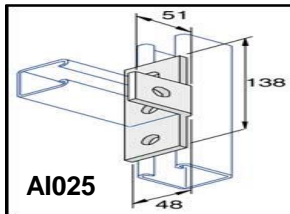


OBTUSE ANGLE BRACKET

PART NO	ANGLE	FINISH	BOX QTY	PALLET QTY
AI021	22.5° 1/1 HOLE	HDG	25	5000
AI022	45° 1/1 HOLE	HDG	25	5000
AI022A	45° 2/2 HOLE	HDG	25	4500
AI023	15° 1/1 HOLE	HDG	25	3000

ACUTE ANGLE BRACKET

PART NO	AI024
FINISH	HDG
BOX QTY	25
PALLET QTY	4500



ANGLE TEE CENTRE - 45°

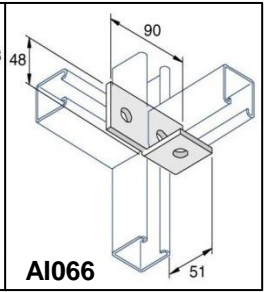
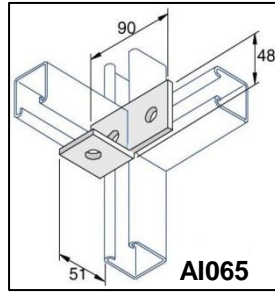
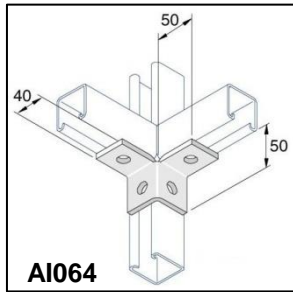
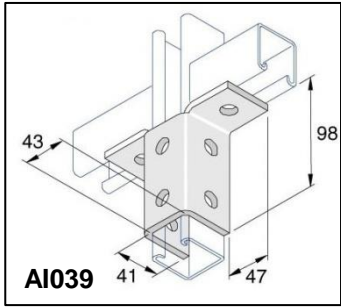
PART NO	SIZE	FINISH	BOX QTY	PALLET QTY
AI025	138mm	HDG	25	3125

HINGE BRACKET

PART NO	SIZE	FINISH	BOX QTY	PALLET QTY
AI075	102x102	HDG	25	2500



WING FITTINGS



2 LUG WING BRACKET

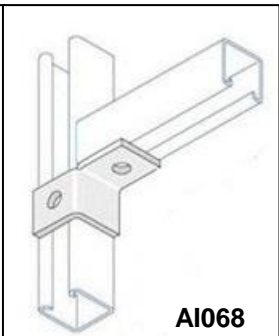
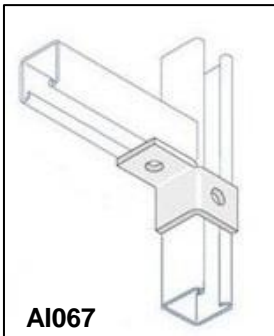
PART NO	AI039
SIZE	98x47x43x41
FINISH	HDG
BOX QTY	15
PALLET QTY	1050

RIGHT ANGLE WING BRACKET

PART NO	AI064
SIZE	50x50x40
FINISH	HDG
BOX QTY	15
PALLET QTY	1875

RIGHT ANGLE BRACKET - 2 HOLE

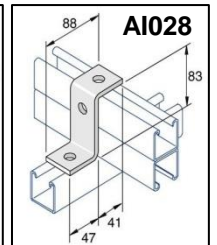
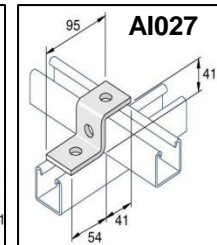
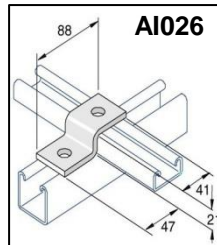
PART NO	SIZE	FINISH	BOX QTY	PALLET QTY
AI065	90x48x51 RIGHT HAND	HDG	TBA	TBA
AI066	90x48x51 LEFT HAND	HDG	TBA	TBA



WING FITTING

PART NO	WING HAND	FINISH	BOX QTY	PALLET QTY
AI067	LEFT HAND	HDG	TBA	1500
AI068	RIGHT HAND	HDG	TBA	2000

Z SHAPE FITTINGS



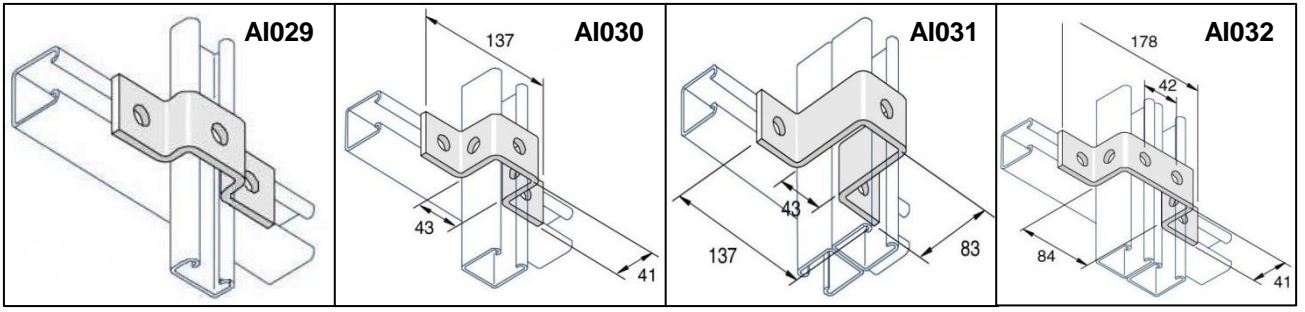
RIGHT ANGLE BRACKET - 3 HOLE

PART NO	SIZE	FINISH	BOX QTY	PALLET QTY
AI026	20mm	HDG	50	6250
AI027	40mm	HDG	50	6250
AI028	80mm	HDG	25	3120

NOTE: Please refer to drawings for the correctness of sizes. The above mentioned sizes are for reference only.



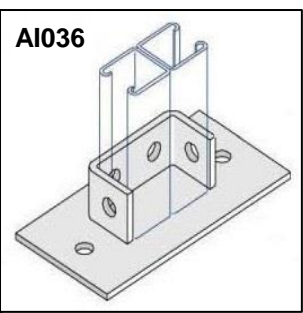
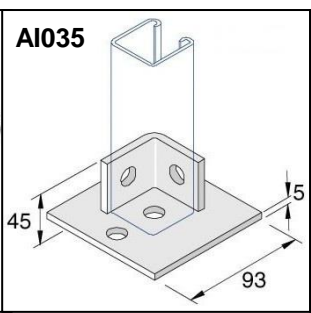
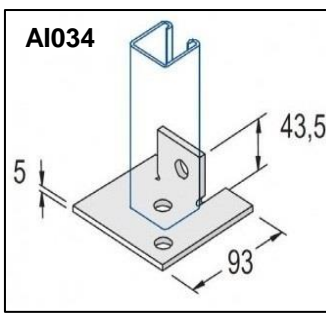
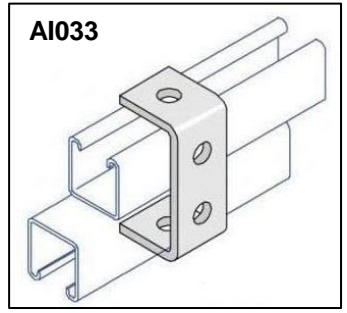
U SHAPE BRACKETS



PART NO	DIMENSIONS	DIMENSIONS	DIMENSIONS	FINISH	BOX QTY	PALLET QTY
AI029	135mm	40mm	20mm	HDG	50	3500
AI030	137mm	43mm	40mm	HDG	25	1750
AI031	137mm	43mm	80mm	HDG	15	1050
AI032	178mm	42mm	80mm	HDG	20	1400

C BRACKET

CHANNEL BASE



PART NO	AI033
SIZE	80mm
FINISH	HDG
BOX QTY	25
PALLET QTY	3000

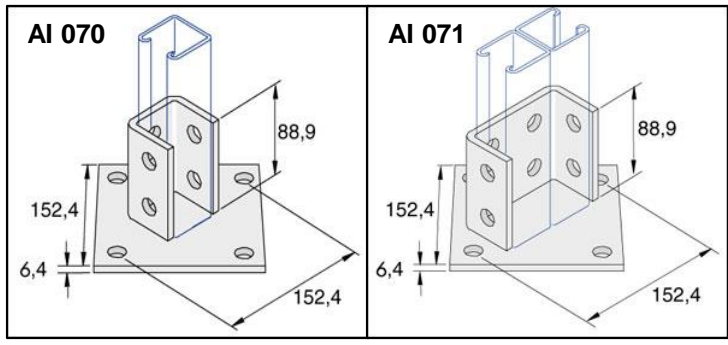
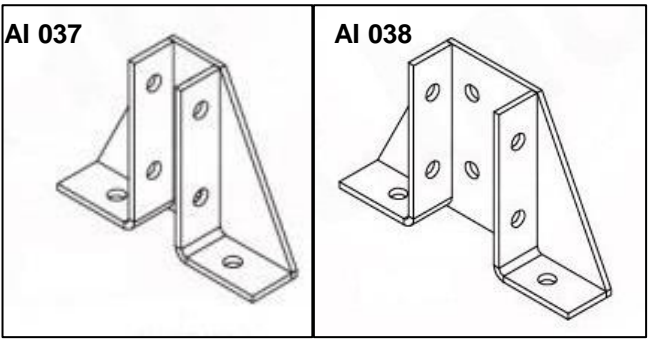
SINGLE & DOUBLE BASE PLATE

PART NO	ITEM DESCRIPTION	SIZE	FINISH	BOX QTY	PALLET QTY
AI034	SINGLE BASE PLATE	93x43.5x5	HDG	50	1500
AI035	SINGLE BASE PLATE	93x45x5	HDG	50	1500
AI036	DOUBLE BASE PLATE	97.5x26.5	HDG	25	750

NOTE: Please refer to drawings for the correctness of sizes. The above mentioned sizes are for reference only.



CHANNEL BASE

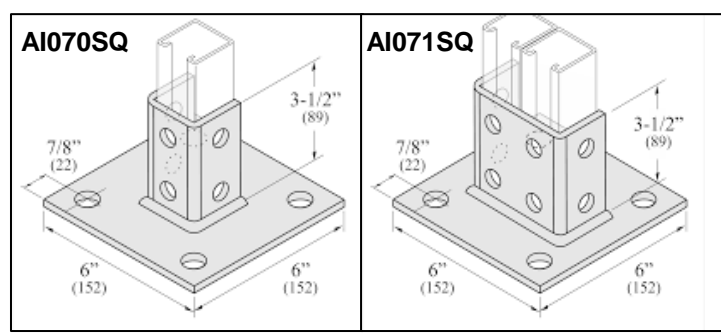


SINGLE & DOUBLE GUSSETED BASE PLATE

PART NO	SIZE	FINISH	BOX QTY	PALLET QTY
AI 037	198x150	HDG	12	360
AI 038	240x150	HDG	8	240

OFFSET SINGLE & DOUBLE BASE PLATE

PART NO	SIZE	FINISH	BOX QTY	PALLET QTY
AI 070	152x89x6	HDG	10	320
AI 071	152x89x6	HDG	10	300



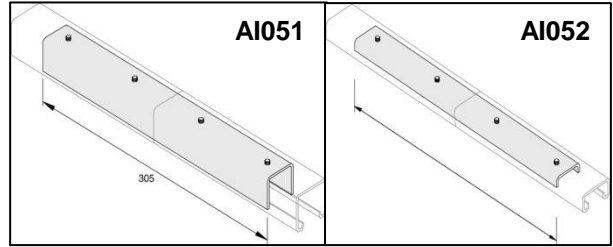
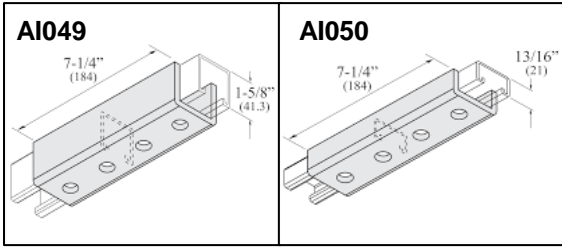
SQUARE SINGLE & DOUBLE BASE PLATE

PART NO	SIZE	FINISH	BOX QTY	PALLET QTY
AI 070	152x89x6	HDG	10	320
AI 071	152x89x6	HDG	10	300

NOTE: Please refer to drawings for the correctness of sizes. The above mentioned sizes are for reference only.



STRUT JOINERS



EXTERNAL JOINT PLATE

PART NO	SIZE	FINISH	BOX QTY	PALLET QTY
AI049	41 x 41	HDG	10	1280
AI050	41 x 21	HDG	10	1250

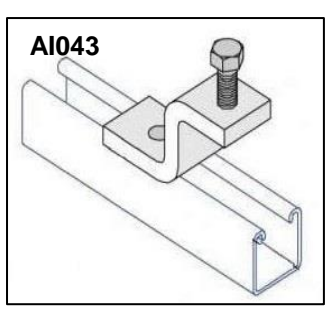
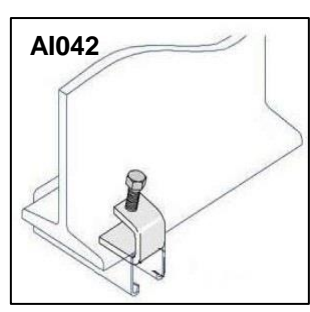
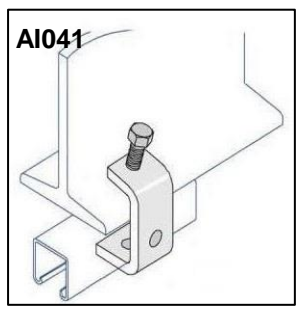
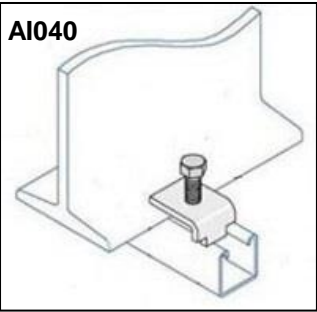
INTERNAL JOINT PLATE

PART NO	SIZE	FINISH	BOX QTY	PALLET QTY
AI051	41 x 41	PREGAL	25	1750
AI052	41 x 21	PREGAL	100	7000

NOTE: Please refer to drawings for the correctness of sizes. The above mentioned sizes are for reference only.

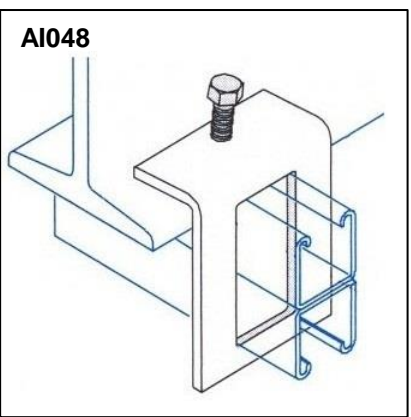
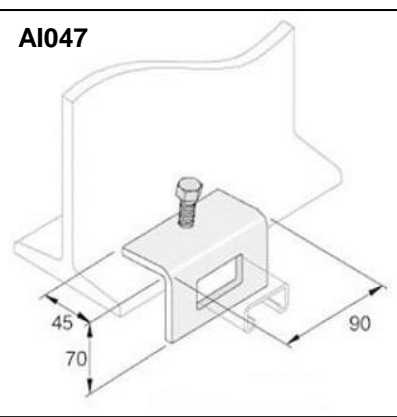
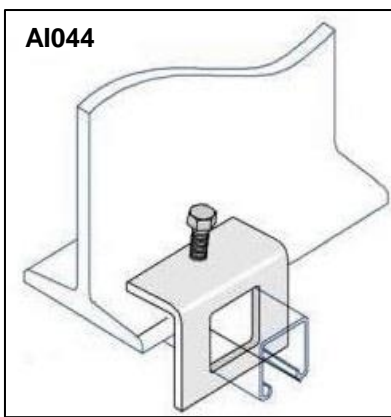


BEAM CLAMPS



TOP BEAM CLAMP	BEAM CLAMP TAPPED + CPSS	BEAM CLAMP TAPPED + CPSS	TAPPED Z SUPPORT + CPSS
----------------	--------------------------	--------------------------	-------------------------

PART NO	SIZE	FINISHING	BOX QTY	PALLET QTY
AI040	50x32	HDG	25	6000
AI041	42mm	HDG	10	1800
AI042	TBA	HDG	25	4500
AI043	TBA	HDG	25	4000



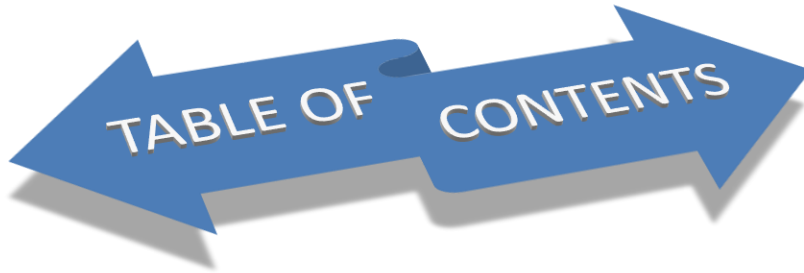
WINDOW BRACKETS + CPSS

PART NO	SIZE	FINISHING	BOX QTY	PALLET QTY
AI044	41mm	HDG	25	3125
AI047	21mm	HDG	25	3125
AI048	82mm	HDG	15	1875

NOTE: Please refer to drawings for the correctness of sizes. The above mentioned sizes are for reference only.



CLAMPS & MISCELLANEOUS ITEMS



CLAMPS & MISCELLANEOUS ITEMS	PAGE NO.
G CLAMP	25
PURLIN CLIP	25
SWIVEL HANGER	25
BOSS PLATE	25
BARCKET WITH U BOLT	25
STRUT CLAMP	26
SADDLE CLAMP	26
END CAPS	26
PIPE CLAMP WITH & WITHOUT RUBBER	27



G CLAMP



PART NO	AI076
SIZE	M8
FINISH	HDG
BOX QTY	TBA
PALLET QTY	TBA

PURLIN CLIP



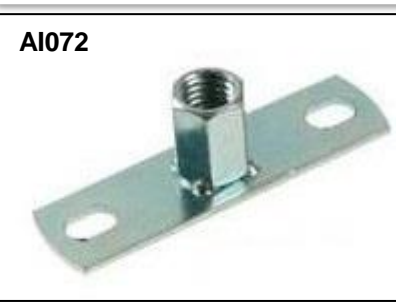
PART NO	AI053
SIZE	85xmm
FINISH	BZP
BOX QTY	100
PALLET QTY	7000

SWIVEL HANGER



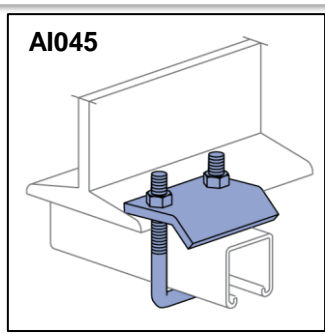
PART NO	AI077
SIZE	M10
FINISH	HDG
BOX QTY	100
PALLET QTY	TBA

BOSS PLATE

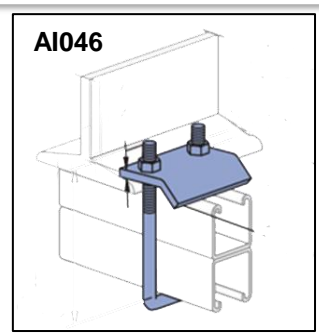


PART NO	AI072
SIZE	M8/M10
FINISH	HDG
BOX QTY	50
PALLET QTY	9000

BRACKET WITH U BOLT



PART NO	AI045
SIZE	41mm
FINISH	HDG
BOX QTY	20
PALLET QTY	2500

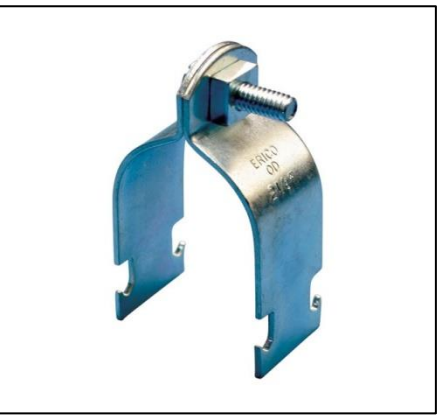


PART NO	AI046
SIZE	82mm
FINISH	HDG
BOX QTY	15
PALLET QTY	1875

NOTE: Please refer to drawings for the correctness of sizes. The above mentioned sizes are for reference only.



STRUT CLAMP



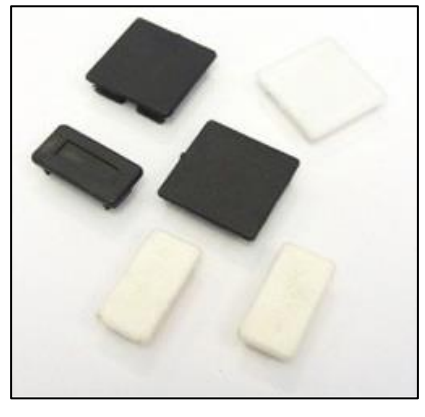
PART NO	TBA
SIZE	TBA
FINISH	TBA
BOX QTY	TBA
PALLET QTY	TBA

SADDLE CLAMP



PART NO	TBA
SIZE	TBA
FINISH	TBA
BOX QTY	TBA
PALLET QTY	TBA

END CAPS



COLOR	BLACK & WHITE
SIZE	41x41 41x21
FINISH	PVC
BOX QTY	1200



PIPE CLAMP WITH & WITHOUT RUBBER



PART NO.	SIZE
PCWR 3/8"	15-19mm
PCWR 1/2"	20-25mm
PCWR 3/4"	26-30mm
PCWR 1"	32-36mm
PCWR 1-1/4"	38-43mm
PCWR 1-1/2"	47-51mm
PCWR 1 3/4"	53-58mm
PCWR 2"	60-64mm
PCWR 2-1/4"	68-72mm
PCWR 2-1/2"	75-80mm
PCWR 2-3/4"	81-86mm
PCWR 3"	87-92mm
PCWR 3-1/2"	99-105mm
PCWR 3-3/4"	107-112mm
PCWR 4"	113-118mm
PCWR 4 1/2"	125-130mm
PCWR 5"	138-142mm
PCWR 6"	159-166mm
PCWR 8"	200-212mm

PART NO.	SIZE
PCWOR 3/8"	15-19mm
PCWOR 1/2"	20-25mm
PCWOR 3/4"	26-30mm
PCWOR 1"	32-36mm
PCWOR 1-1/4"	38-43mm
PCWOR 1-1/2"	47-51mm
PCWOR 1 3/4"	53-58mm
PCWOR 2"	60-64mm
PCWOR 2-1/4"	68-72mm
PCWOR 2-1/2"	75-80mm
PCWOR 2-3/4"	81-86mm
PCWOR 3"	87-92mm
PCWOR 3-1/2"	99-105mm
PCWOR 3-3/4"	107-112mm
PCWOR 4"	113-118mm
PCWOR 4 1/2"	125-130mm
PCWOR 5"	138-142mm
PCWOR 6"	159-166mm
PCWOR 8"	200-212mm



**Unit 9
Planetary Industrial Estate
Planetary Road
Willenhall
West Midlands
WV13 3XA**

**Tel / Fax : 01902-302030
sales@activefixings.co.uk**